



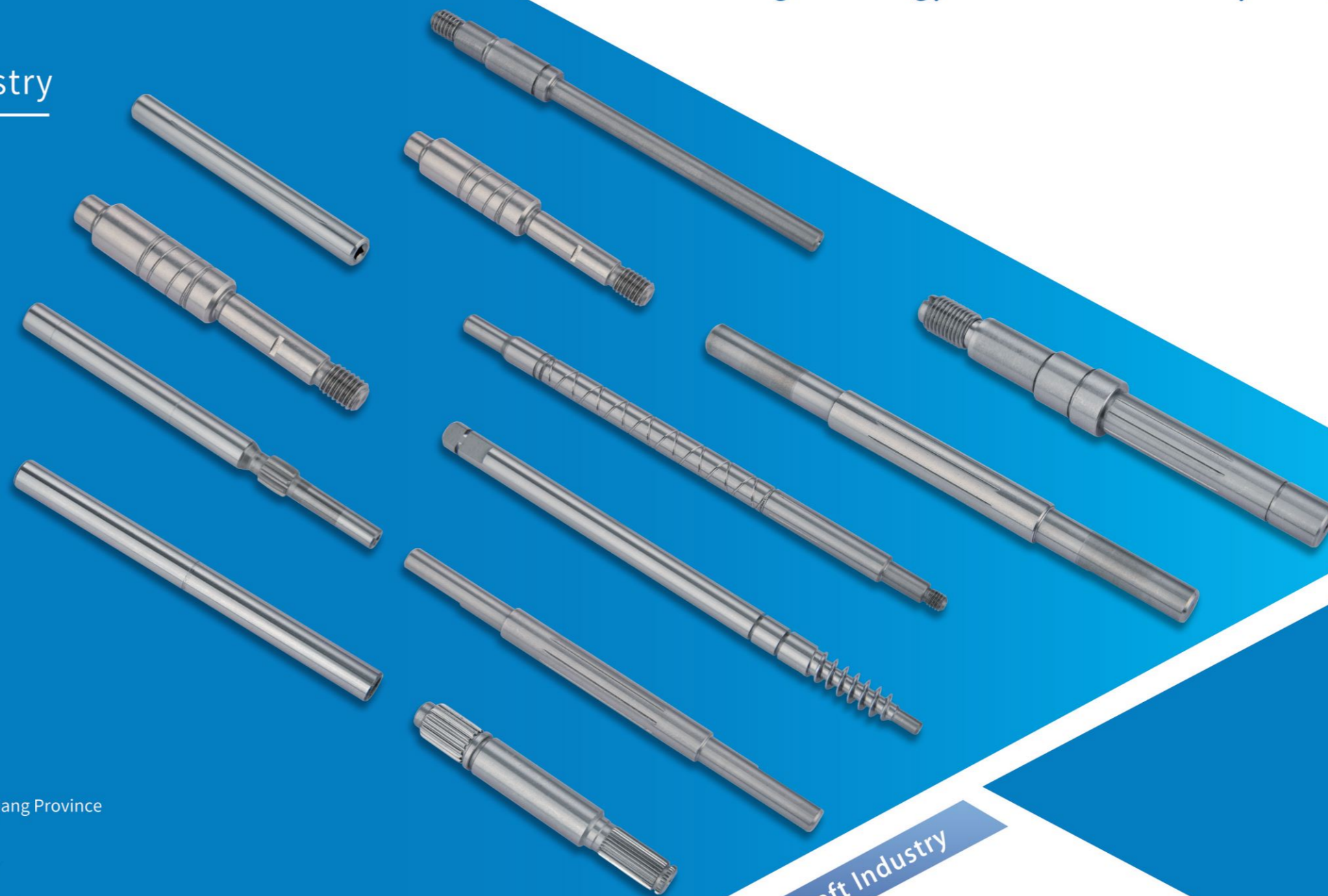
宁波恒源轴业有限公司

Ningbo Hengyuan Shaft Industry Co.,Ltd.



Hengyuan Shaft Industry

恒源轴业



宁波恒源轴业有限公司

Ningbo Hengyuan Shaft Industry Co.,Ltd.

浙江省宁波市奉化区滨海新区星海路78号

No. 78 Xinghai Road, Binhai New Area, Fenghua District, Ningbo City, Zhejiang Province

☎ 0086(574)88733578

☎ 0086(574)88766168

✉ ningbohengyuan@163.com

🌐 www.hengyuanzhouye.com

Hengyuan Shaft Industry



恒源轴业

Hengyuan Shaft Industry



Excellent Quality
优良的品质

Reasonable Price
合理的价格

Perfect Service
完善的服务



恒源轴业

宁波恒源轴业有限公司始创建于1995年，前身是奉化恒顺微型轴业有限公司，以各类电机轴为主营业务。随着市场经济的迅速发展，全球经济一体化拉近了中国与世界的距离，我们在学习世界先进管理经验和科学技术的同时，也面临着更大的挑战。恒源管理团队始终保持强烈的危机感和市场意识，不断提高素质，规范管理，推进技术革新，优化产业结构，重点发展家用电器轴芯，电动工具轴芯，汽车电机轴芯三大核心产品，培养企业核心力量，保持企业可持续发展。

2007年公司按照新的发展规划，实行大轴、微型轴双线发展战略，正式更名为宁波恒源轴业有限公司。同时投资800万元购置大轴加工设备，重点发展大轴加工能力。

在2014年，公司执行新的发展战略，投资4000万元，在滨海新区购置25亩土地，新建现代化标准厂房、办公楼15000平方米。购买高精密挫齿机，合资筹建滚齿加工车间，添置6台多台阶一体无心磨机床。全力配套国内电动工具，汽车，家电三大类企业，重点打造偏心轴，齿轴，多台阶无心磨轴的加工品牌。

本公司将本着“追求卓越，勇创品牌，顾客满意，我们荣耀”的经营理念，以满足日益发展的市场需求。

Ningbo Hengyuan Shaft Industry Co.,Ltd. Was established in 1995, Its predecessor is fenghua hengshun miniature shaft industry Co.,Ltd. To all kinds of motor shaft for the main business. With the rapid development of the market economy, Global economic integration has brought China closer to the world, While learning the world's advanced management experience and science and technology, we are also facing greater challenges. Hengyuan management team has always maintained a strong sense of crisis and market awareness, constantly improve the quality, standard management, promote technical innovation, optimize the industrial structure, focus on the development of household appliances core, power tools core, automotive motor core three core products, cultivate the core strength of the enterprise, maintain the sustainable development of the enterprise.

In 2007, according to the new development plan, the company implemented the double-line development strategy of large axis and micro axis, and officially changed its name to Ningbo Hengyuan Shaft Industry Co.,Ltd. At the same time, we invested 8 million yuan to purchase large axis processing equipment, focusing on the development of large axis processing capacity.

In 2014, the company implemented the new development strategy, invested 40 million yuan, purchased 25 mu of land in binhai new area, and built a modern standard plant and office building of 15,000 square meters. Purchase high precision grinding machine, joint venture preparation gear hobbing workshop, add 6 multi - step integral centerless grinding machine. Fully supporting the domestic electric tools, cars, home appliances three categories of enterprises, focusing on creating eccentric shaft, tooth shaft, multi-step centerless grinding shaft processing brand.

The company will be in the "pursuit of excellence, brave brand, customer satisfaction, our glory" business philosophy, to meet the growing market demand.



CORPORATE CULTURE

企业文化 >>



企业愿景 / **做中国最专业的轴芯制造企业**
Enterprise Vision / Be the Most Professional Axle Core Manufacturing Enterprise in China.

核心价值 / **创造价值为尊 实现利益共享**
Core Value / Creating Value for Respect and Realizing Benefit Sharing.

员工信念 / **敬业 责任 合作 学习 创新**
Employee Belief / Professional responsibility, cooperative learning and innovation

人才理念 / **唯才是用 唯德重用**
Talent Concept / Talent is the only way to use it, Virtue reuse

宁波恒源轴业有限公司

地址：浙江省宁波市奉化区滨海新区星海路78号
网址：www.hengyuanzhouye.com

电话：86-574-88733578
传真：86-574-88766168



现代化生产管理

MODERN PRODUCTION MANAGEMENT

精良的设备确保品质的稳定，
先进的管理提升公司的竞争力。

Sophisticated equipment to ensure the quality and stability,
Advanced management to enhance the company's competitiveness.



HENG YUAN



生产车间 The production workshop

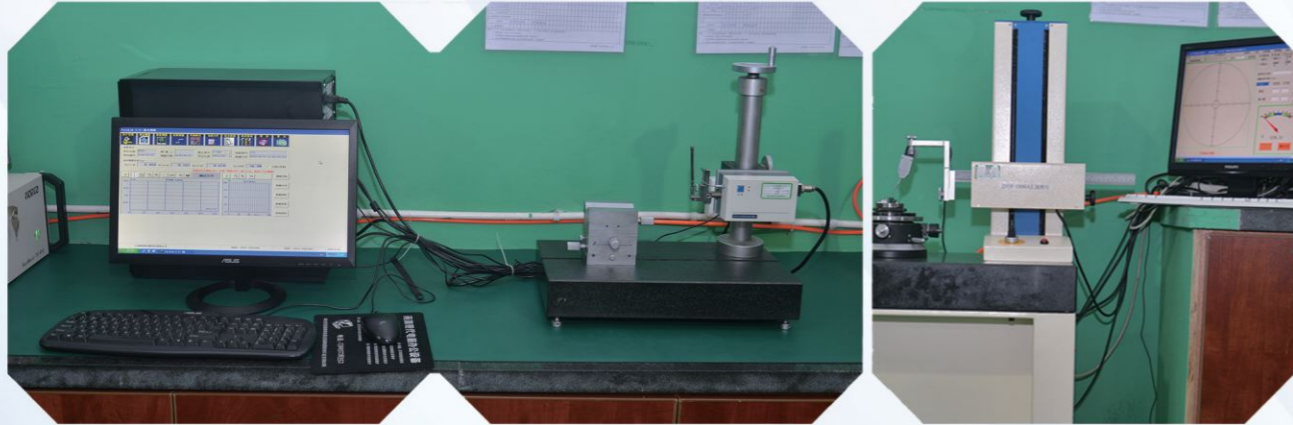
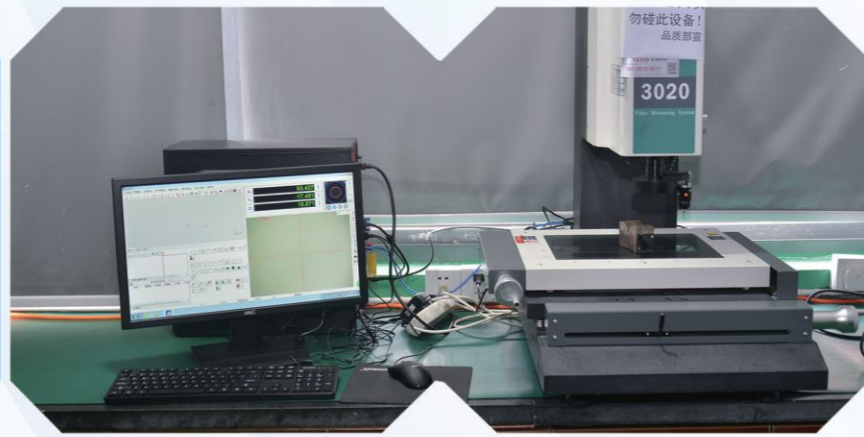




WORKSHOP STYLE 车间风采 >>

先进的
检测设备

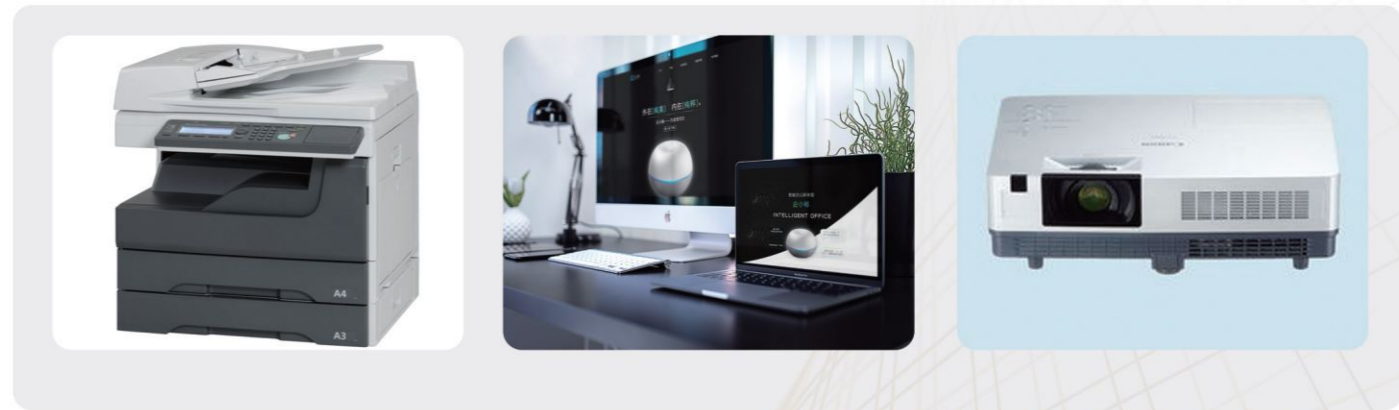
ADVANCES
TESTING EQUIPMENT





提供高品质的产品，是恒源永恒的承诺

Providing high quality products is the eternal commitment of Hengyuan



XHY01



XHY02



XHY03



XHY04



XHY05



XHY06



XHY07



XHY08

A

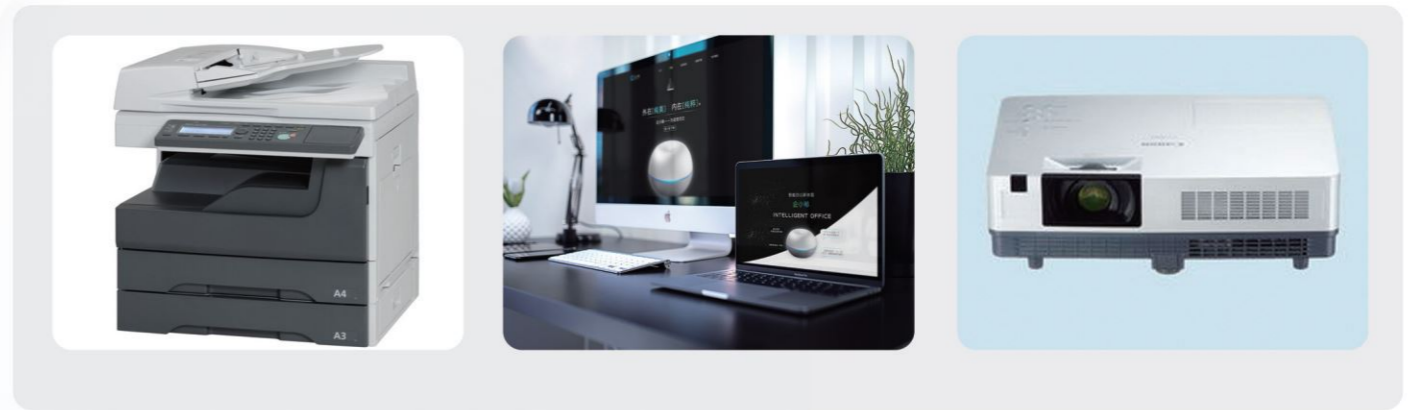
OFFICE PRODUCTS CATEGORY

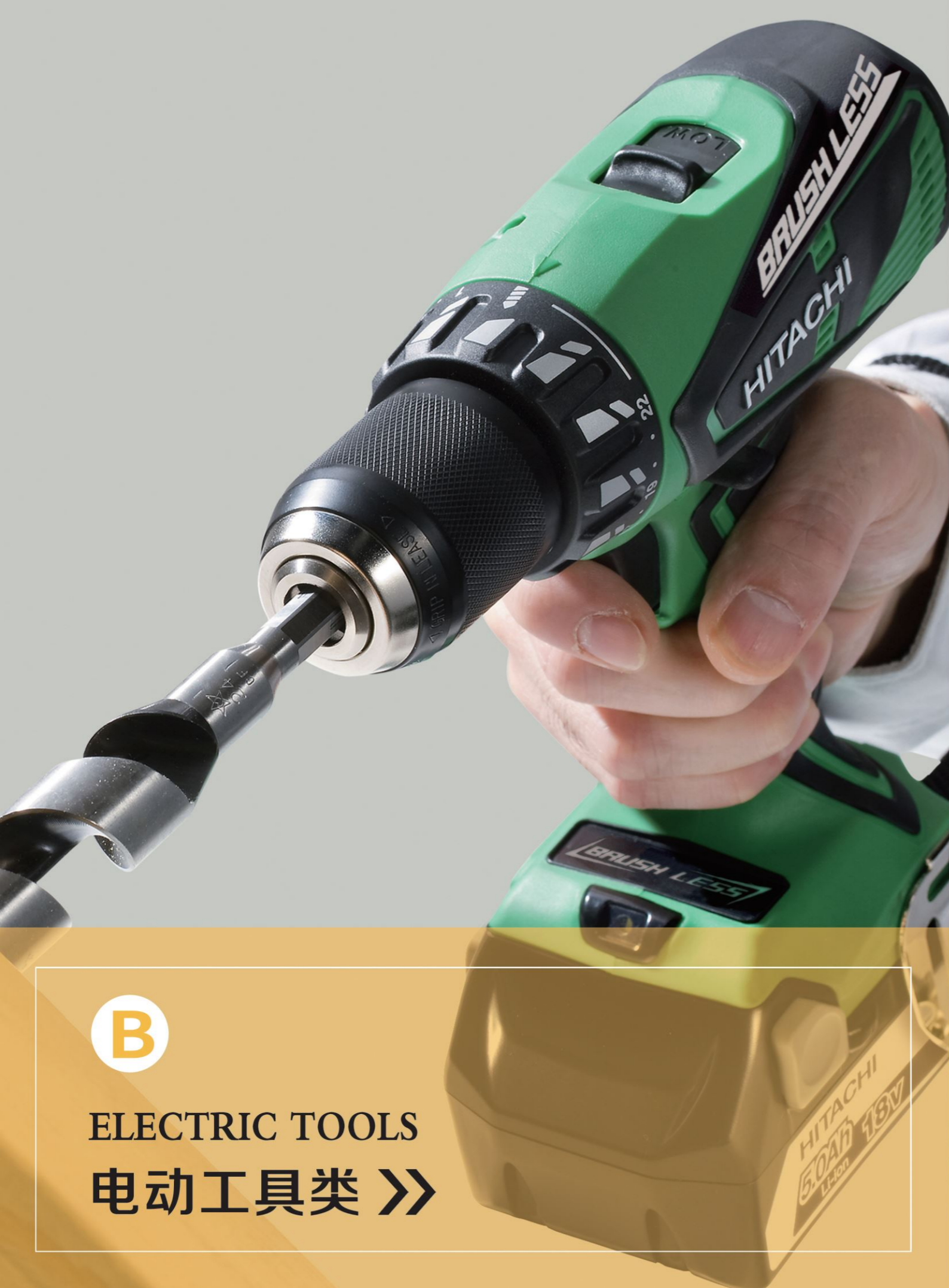
办公产品类 >>

宁波恒源轴业有限公司

地址：浙江省宁波市奉化区滨海新区星海路78号
网址：www.hengyuanzhouye.com

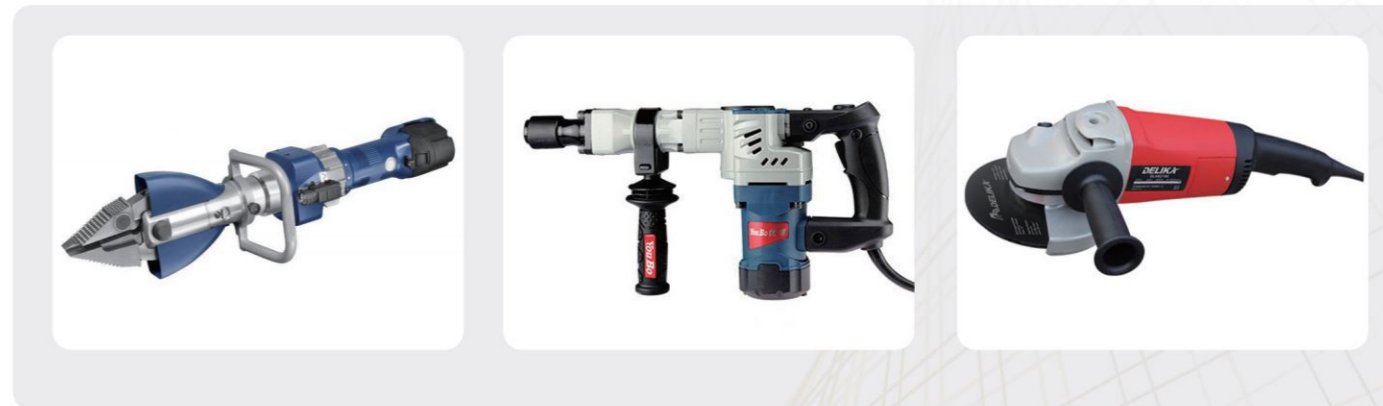
电话：86-574-88733578
传真：86-574-88766168





提供高品质的产品，是恒源永恒的承诺

Providing high quality products is the eternal commitment of Hengyuan



ET 01



ET 02



ET 03



ET 04



ET 05



ET 06

B

ELECTRIC TOOLS

电动工具类 >>

宁波恒源轴业有限公司

地址：浙江省宁波市奉化区滨海新区星海路78号
网址：www.hengyuanzhouye.com

电话：86-574-88733578
传真：86-574-88766168

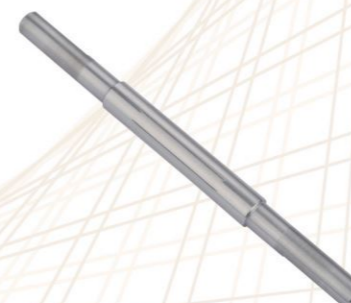


提供高品质的产品，是恒源永恒的承诺

Providing high quality products is the eternal commitment of Hengyuan



JDTJ01



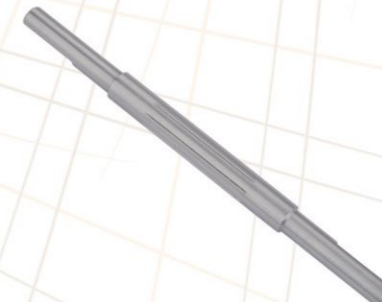
JDTJ02



JDTJ03



JDTJ04



JDTJ05



JDTJ06



HOUSEHOLD APPLIANCES

家电类 >>

宁波恒源轴业有限公司

地址：浙江省宁波市奉化区滨海新区星海路78号
网址：www.hengyuanzhouye.com

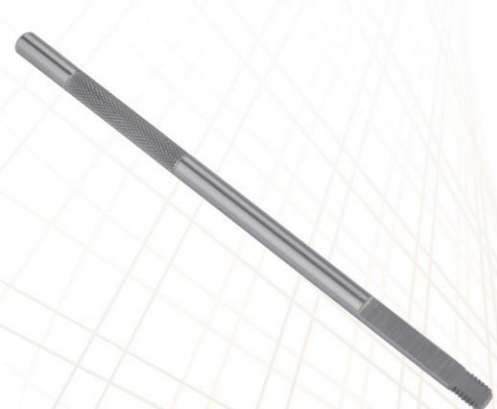
电话：86-574-88733578
传真：86-574-88766168



Hengyuan Shaft Industry



恒源轴业



JD 01



JD 02



JD 03



JD 04



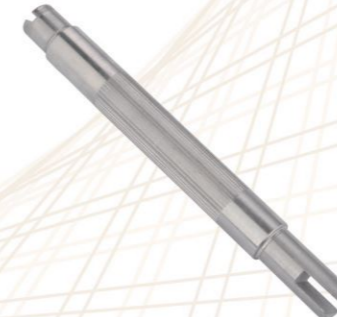
JD 05



JD 06



JD 10



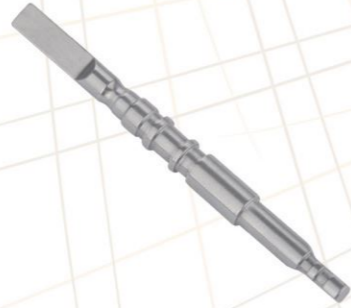
JD 11



JD 12



JD 07



JD 08



JD 09



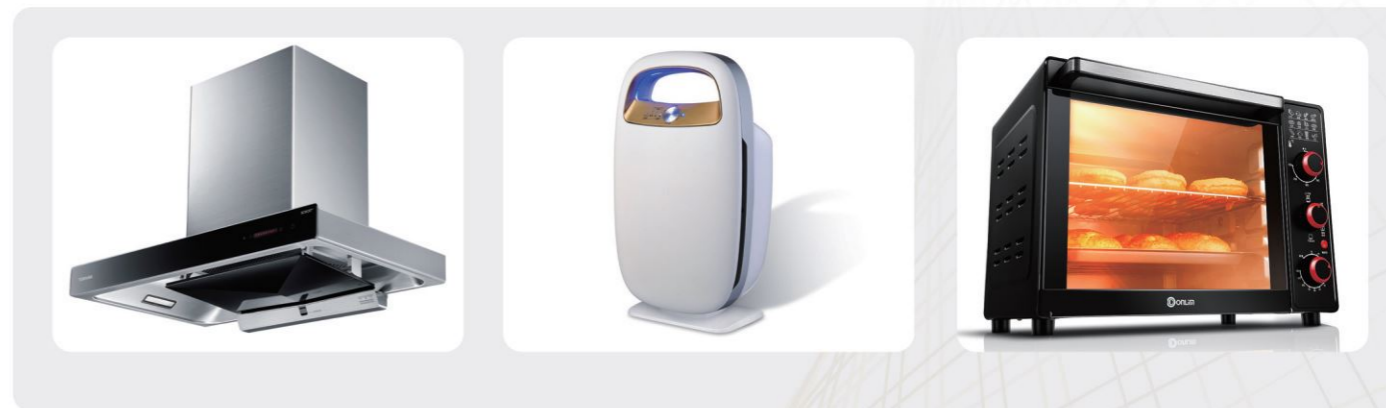
JD 13



JD 14



JD 15



Ningbo Hengyuan Shaft Industry Co.,Ltd.

Add:No. 78 Xinghai Road, Binhai New Area, Fenghua District, Ningbo City, Zhejiang Province
Tel:86-574-88733578 Fax:86-574-8866168 Web:www.hengyuanshouye.com



Hengyuan Shaft Industry

提供高品质的产品，是恒源永恒的承诺

Providing high quality products is the eternal commitment of Hengyuan



恒源轴业



宁波恒源轴业有限公司

地址：浙江省宁波市奉化区滨海新区星海路78号
网址：www.hengyuanshouye.com

电话：86-574-88733578
传真：86-574-88766168



提供高品质的产品，是恒源永恒的承诺

Providing high quality products is the eternal commitment of Hengyuan



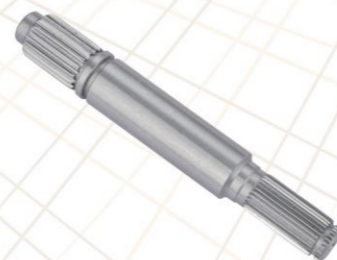
AC 01



AC 02



AC 03



AC 04



AC 05



AC 06

D

AUTOMOBILE CATEGORY

汽车类 >>

宁波恒源轴业有限公司

地址：浙江省宁波市奉化区滨海新区星海路78号
网址：www.hengyuanzhouye.com

电话：86-574-88733578
传真：86-574-88766168



Hengyuan Shaft Industry



AC 07



AC 08



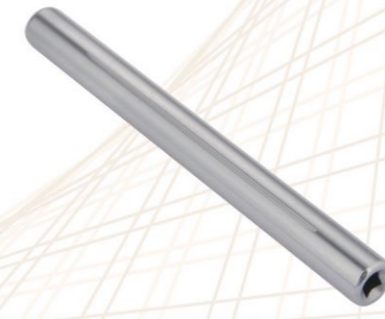
AC 09



恒源轴业



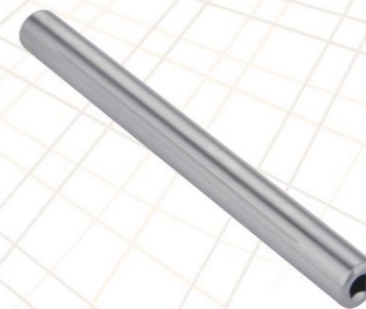
AC 10



AC 11



AC 12



AC 13



AC 14



AC 15



Hengyuan Shaft Industry



恒源轴业



- ▶ 我公司有着广泛的销售网络，与世界众多国家建立了稳定的业务往来，深受众多客户的确认与青睐。
- ▶ We have sales network and have built stable business relationship with many countries, and our products are deeply recognized and favored by many clients.
- ▶ 以上标注的国家我司都有合作单位。
Our company has cooperating units in the countries marked above.